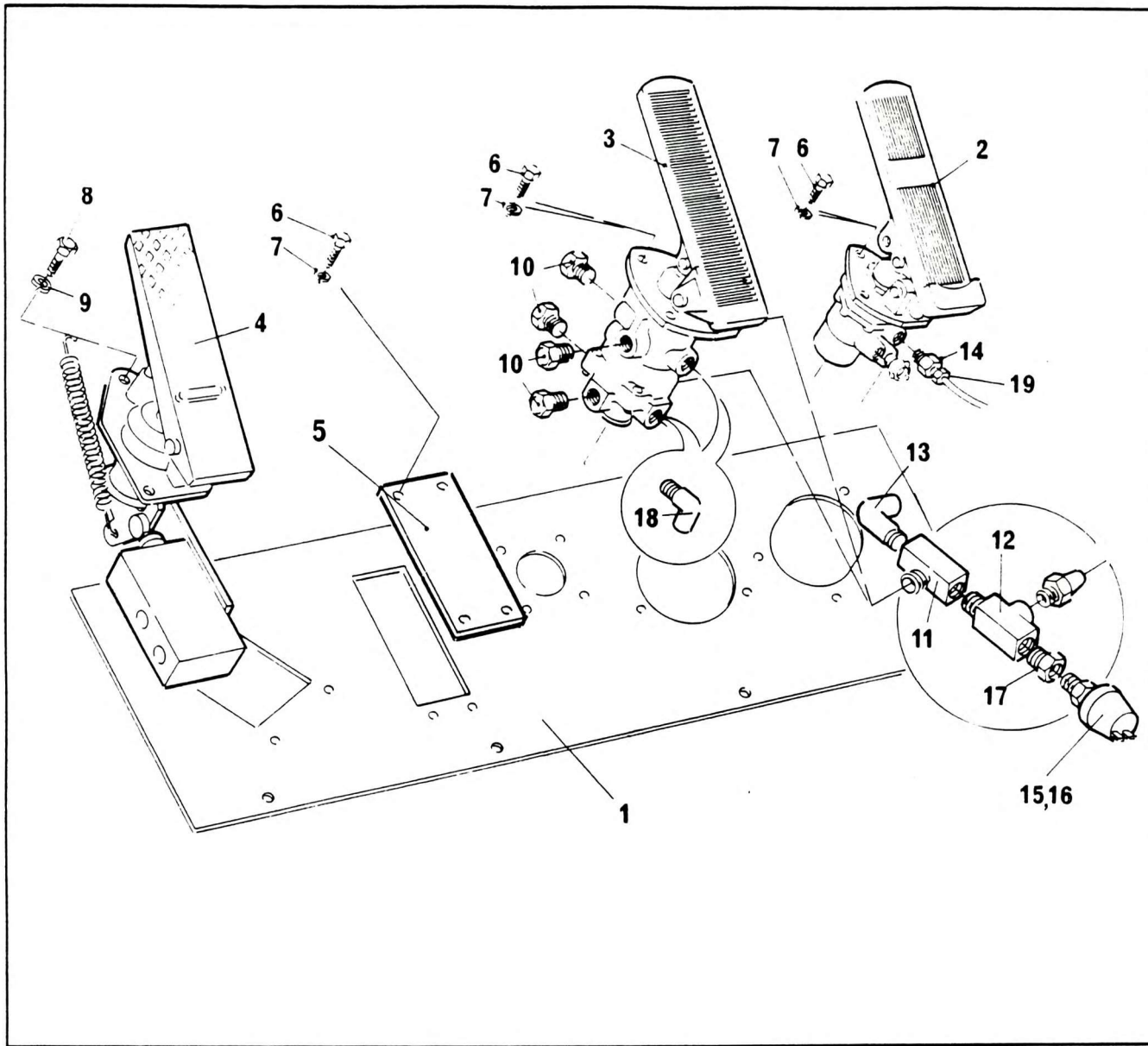


FOOT PEDAL SUB ASSY (AUX HOIST)



NO.	PART NO.	QTY.	DESCRIPTION	NO.	PART NO.	QTY.	DESCRIPTION
1	6-705-997053	1	Floor Plate Weld Assy	15	8866089	2	Switch Low Pressure Warning
2 +	7-683-000075	1	Air Throttle Pedal	16	8353716	2	Boot
3 +	7-926-001987	1	Dual Brake Valve W/Treadle	17	7-445-060450	2	Reducer 3/8" M x 1/2" F
4 +	6-683-990043	1	Slew Brake Pedal Assy	18	7-443-991027	2	Elbow Adaptor
5 +	6-705-996996	1	Floor Plate	19	7-443-990964	2	Adaptor 1/2" NPTF x 1/4" Tube
6	7045203	10	Screw M8 x 20 Long	+ See further breakdown in this group			
7	7067215	10	Washer Spring M8				
8	7045004	3	Screw M5 x 20 Long				
9	7067217	3	Washer Spring M5				
10	13052	4	Plug 3/8" npt				
11	7-888-000089	2	Tee				
12	7-888-000008	2	Service Tee				
13	7-443-991028	2	Elbow Adaptor				
14	7-443-990967	2	Adaptor 3/8" NPTF x 1/4" Tube				